
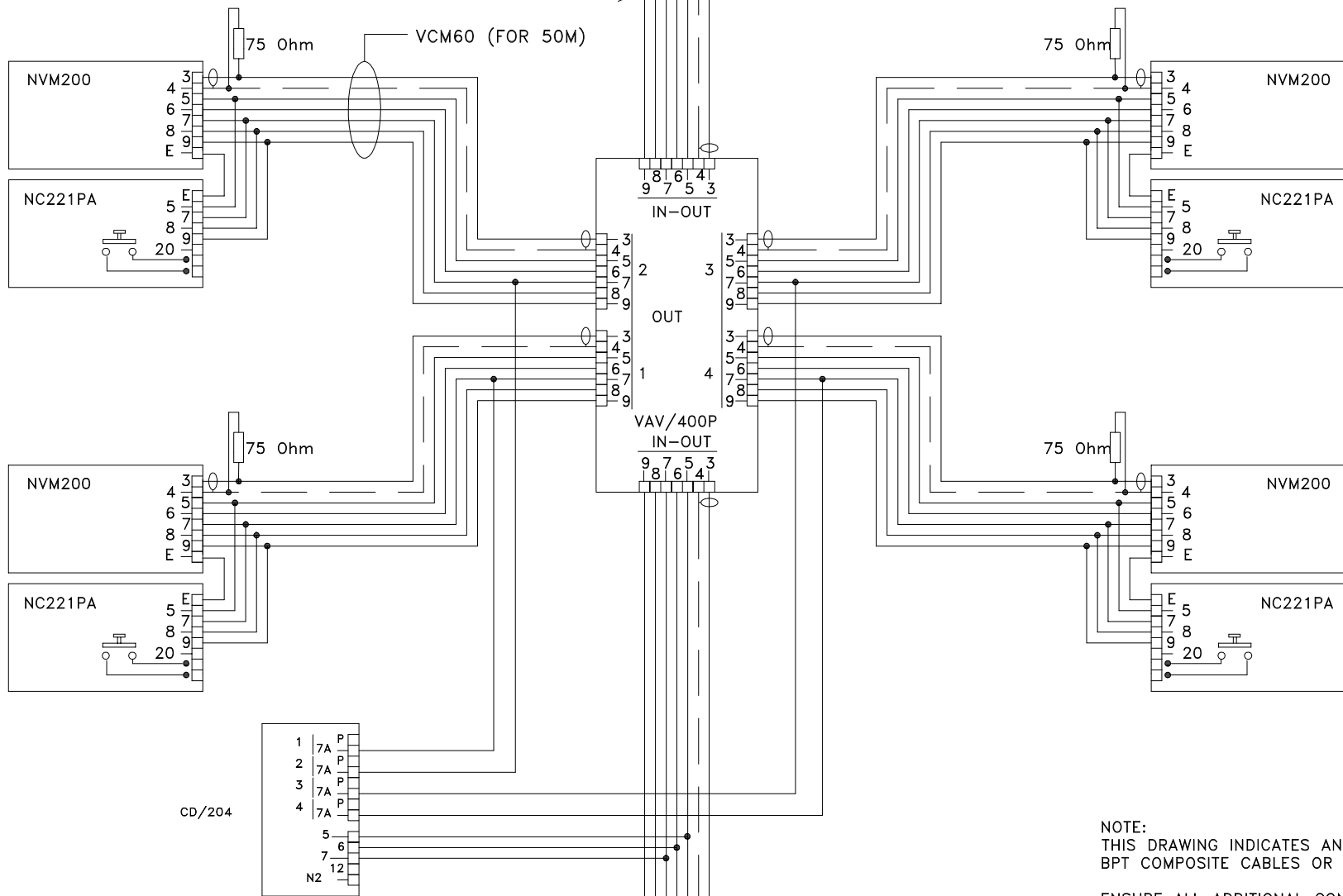
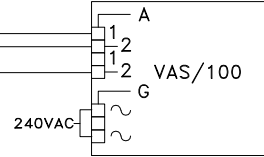


75 Ohm  ENSURE LAST VAV/400P IN/OUT BLOCK HAS A 75 Ohm RESISTOR FITTED ACROSS TERMINALS 3 & 4.

TO FURTHER MONITORS AND CD/204 AS REQUIRED

9 8 7 6 5 4 3

NOTE: ADD EXTRA VAS100 PSU AFTER THE FIRST 16 MONITORS. ADD AN EXTRA VAS100 PSU FOR EVERY FURTHER 36 MONITORS ON THE SYSTEM AS SHOWN.





NOTE: THIS DRAWING INDICATES AND ASSUMES THE USE OF BPT COMPOSITE CABLES OR A SUITABLE EQUIVALENT.

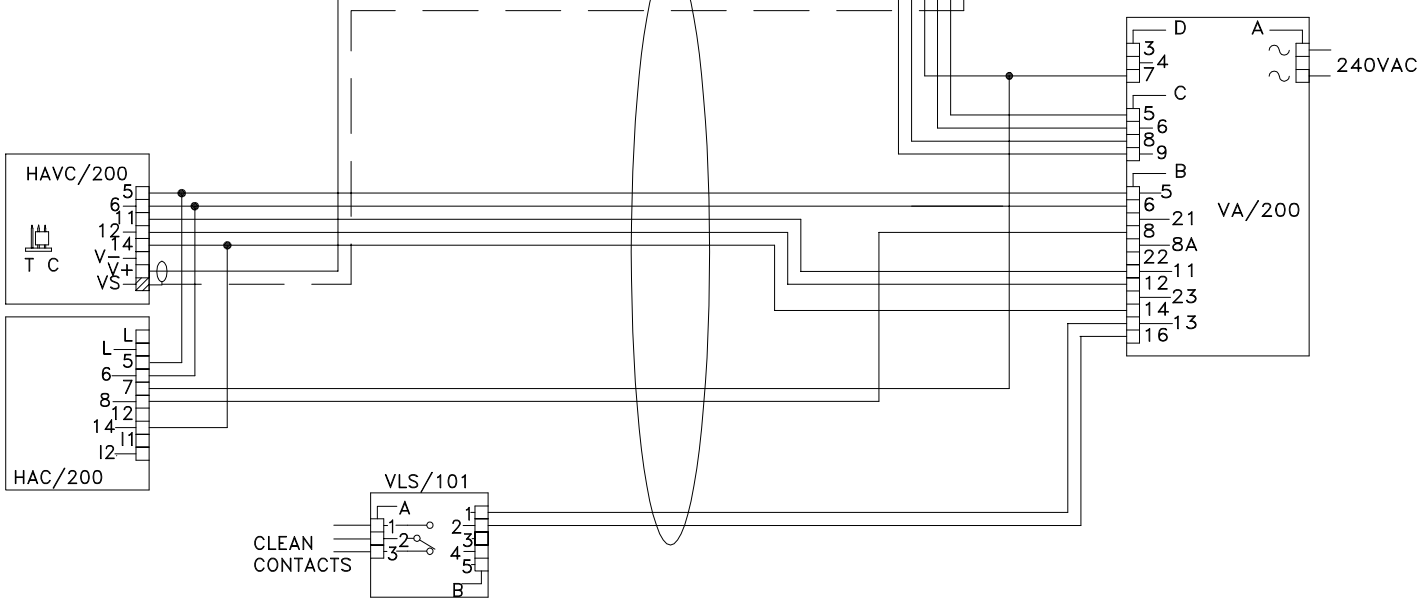
ENSURE ALL ADDITIONAL CONNECTIONS ARE A MINIMUM OF 0.5MM CSA PER CORE.

NOTE: THIS IS NOT TELECOM OR ALARM CABLE SPEC. IF USING SUCH CABLE AT LEAST DOUBLE UP ON LINES 5 & 7.

INSTALLERS SHOULD BE AWARE THAT HIGH METERAGE OF SUCH INCORRECT CABLE SPEC CAN CAUSE DIGITAL SIGNALING PROBLEMS.

VCM60 

VCM130 (FOR 150M) 



NOTE: CABLE EQUIVALENTS

VCM/130 = RG59 COAX + 4 CORES @ 1.0MMSQ + 8 CORES @ 0.5MMSQ

VCM/60 = RG59 COAX + 2 CORES @ 1.0MMSQ + 3 CORES @ 0.5MMSQ

BPT (UK) LTD.
HERTS. ENGLAND

PREPARED FOR
INSTALLER INFORMATION

DATE: 22/10/03

DRAWN: RC

REVISED:

DRAWING TITLE:

1 X DIGITAL TARGHA COLOUR VIDEO ENTRY PANEL
& NOVA VIDEO MONITORS

DRAWING No: B-XT1NNC